

OBV Safety Catch

Fitting Instructions



1

General Information

1 General Information

2

Location

2 Location

3

Fitting

3 Fitting

4

Remedial
Adjustments

4 Remedial Adjustments

5

Product Part
Numbers

5 Product Part Numbers

1 General Information

OBV Safety Catch

- Automatically restricts window opening regardless of sequence of operation
- Prevents window from slamming shut
- Optimum child security
- The OBV locking bar can be released for full opening of the sash by keeping the push button depressed.
- Automatic locking; when the window is closed from the turn position the limit opening function re-engages
- Restricts the opening distance in the turn position to approx. 50mm if mounted on the lock side, when mounted horizontally variable opening distances can be achieved
- Ease of fitting due to vertically adjustable frame sections
- Maintenance friendly as frame section can be adjusted within a range of +3mm

1

General Information

2

Location

3

Fitting

4

Remedial
Adjustments

5

Product Part
Numbers

1

General Information

2 Location

Firstly establish the correct position, to achieve no more than 100mm of opening. This position will normally be on the opposite side of the hinges, and near to, but not hindering the operating handle.

2

Location

The safety catch on a side hung casement or tilt & turn window should be vertical with the button upper most, where as on a top hung casement it will be horizontally mounted on the bottom.

On casement windows the main body of the safety catch is located on the outer frame upstand, where as on the tilt & turn it is on the opening sash up stand.

See [diagram 1 for illustrations](#)

3

Fitting

4

Remedial Adjustments

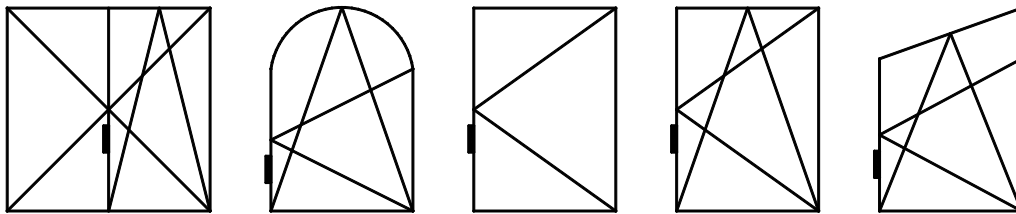


Diagram 1: Recommended positioning of Safety Catch

5

Product Part Numbers

3 Fitting

Fit the safety catch body first by pre-drilling using either the factory fix jig, if fitting during production of the window, or by using the site fix jig, if fitting with the window in-situ.

Factory Fix Part Number: 2839571 / Site Fix Part Number: 2833559

On windows where the mounting face of the up stand is not square an angled packer will be required.

After positioning the jig, drill the five holes (or seven if using certain angled packers) and fit both parts using the appropriate screws. Check by closing the window and ensuring that the hook automatically engages and disengages using the release button.

Please refer to diagrams 2 - 4 for jig positioning.

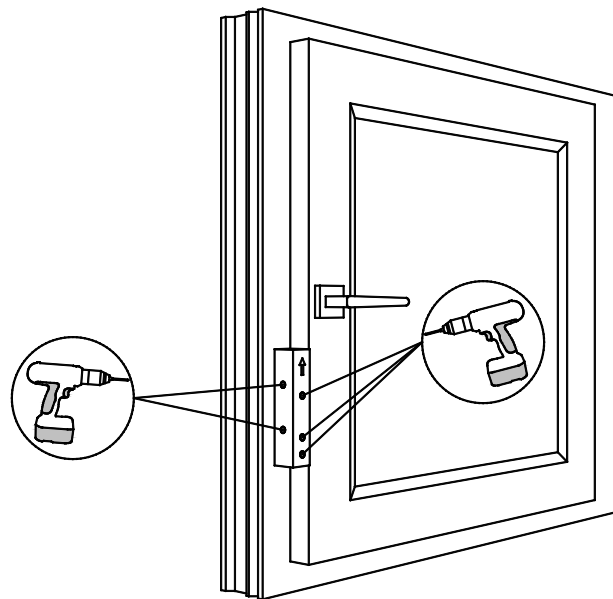


Diagram 2: Factory Fix Jig

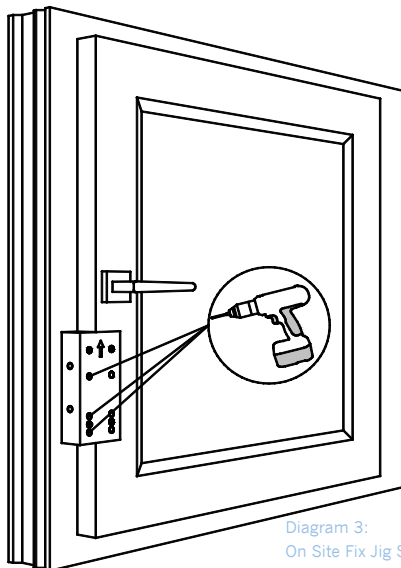


Diagram 3:
On Site Fix Jig Stage 1

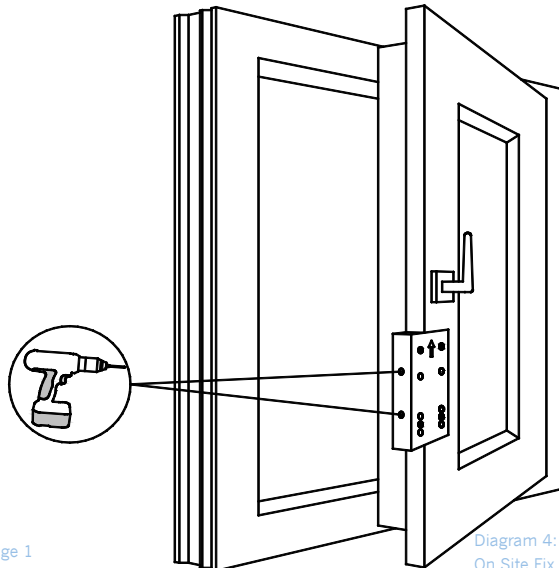


Diagram 4:
On Site Fix Jig Stage 2

1

General Information

2

Location

3

Fitting

4

Remedial
Adjustments

5

Product Part
Numbers

1

General Information

2

Location

3

Fitting

4

Remdial
Adjustments

5

Product Part
Numbers

4 Remedial Adjustments

Due to the window settling/sagging during their life span or the differing arcs of hinges it maybe necessary for a subsequent adjustment to be made. This can be achieved by releasing the hook base plate fixing screws and moving the plate to align the upper most edge in alignment to the mark on the Saefty Catch body. Finally retighten the hook base plate fixing screws.

5 Product Part Numbers

Part Description	Part Number
OBV Safety Catch	
OBV Safety Catch White	4929276
OBV Safety Catch Brown	4929277
OBVA Lock Safety Catch White	4929278
OBVA Lock Safety Catch Brown	4929279
Safety Catch Packers	
6 Degree Packer White	1478410
10 Degree Spacer White	1488141
15 Degree Packer White	1478399
15 Degree Packer Brown	1478401
OBV/OBSL Uni Packer 30 Degree White	2839539
OBV/OBSL Uni Packer 30 Degree Brown	2839547
OBV/OBSL Uni Packer 40 Degree White	2839504
OBV/OBSL Uni Packer 40 Degree Brown	2839512
OBV/OBSL Uni Pack 45 Degree White	2835298
OBV/OBSL 47.5 Uni Packer Degree White	2839483
OBV/OBSL 47.5 Uni Packer Degree Brown	2839491
OBV/OBSL Uni Packer HW 70 White	2837568
OBV/OBSL Uni Packer HW 70 Brown	2837584
OBV/OBSL Uni Packer Kommerling White	2839555
OBV/OBSL Uni Packer Kommerling Brown	2839563
OBV/OBSL Uni Packer Plus Plan, Schuco Corona, White	2834156
OBV/OBSL Uni Packer Cego Legend 70	2835538
OBV/OBSL Uni Packer HW Elite 70	2834201
OBV/OBSL Jigs	
OBV/OBSL Factory Jig	2839571
OBV/OBSL Site Jig UK	2833559

1

General Information

2

Location

3

Fitting

4

Remedial
Adjustments

5

Product Part
Numbers