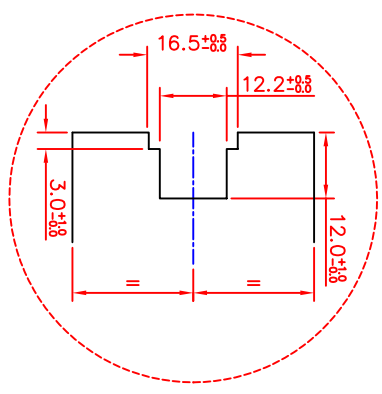
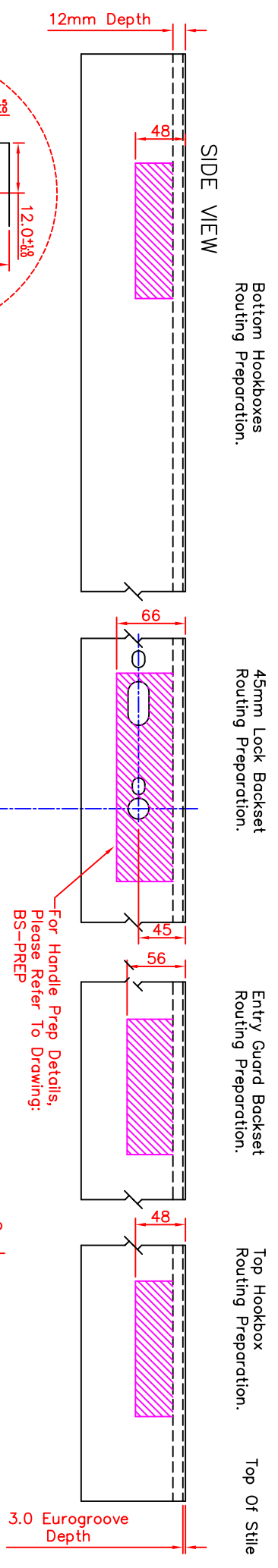
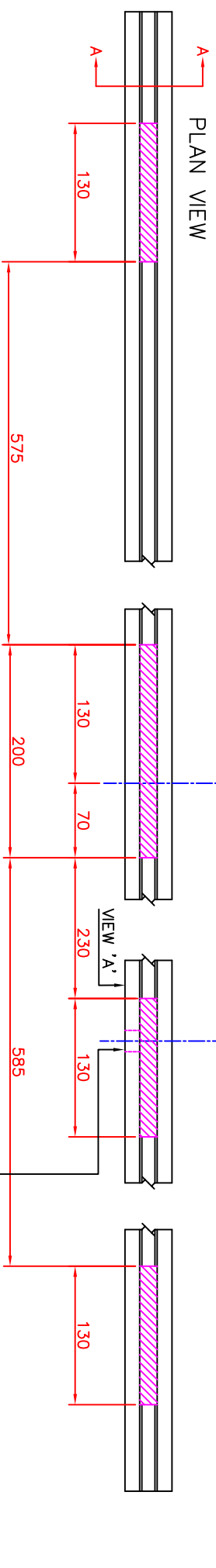


All dimensions shown are in millimetres.



SECTION A-A
Standard Timber
Eurogroove Detail.



PLAN VIEW

Top Of Stile

Denotes Routing



NOTE
Ensure That All Routing Material Is Cleared From Stile Before Fixing Lock.

Title :-
Winkhaus 45mm Backset STV MV2 Entry Guard Lock, Standard Routing Details For Timber Doors.
Material Spec :
Finish Spec :
Article No :

WINKHAUS (UK) Ltd.
2950 Kettering Parkway, Kettering,
Northants, NN15 6XZ.
Tel:01536 316000 Fax:01536 416516

Drawn C WALLACE
Scale 1:4
Drawing No. T45M2EGR
This drawing is the property of Winkhaus (UK) Ltd and is not to be reproduced or copied in any form without written consent.

Issue B
Date 27.01.05