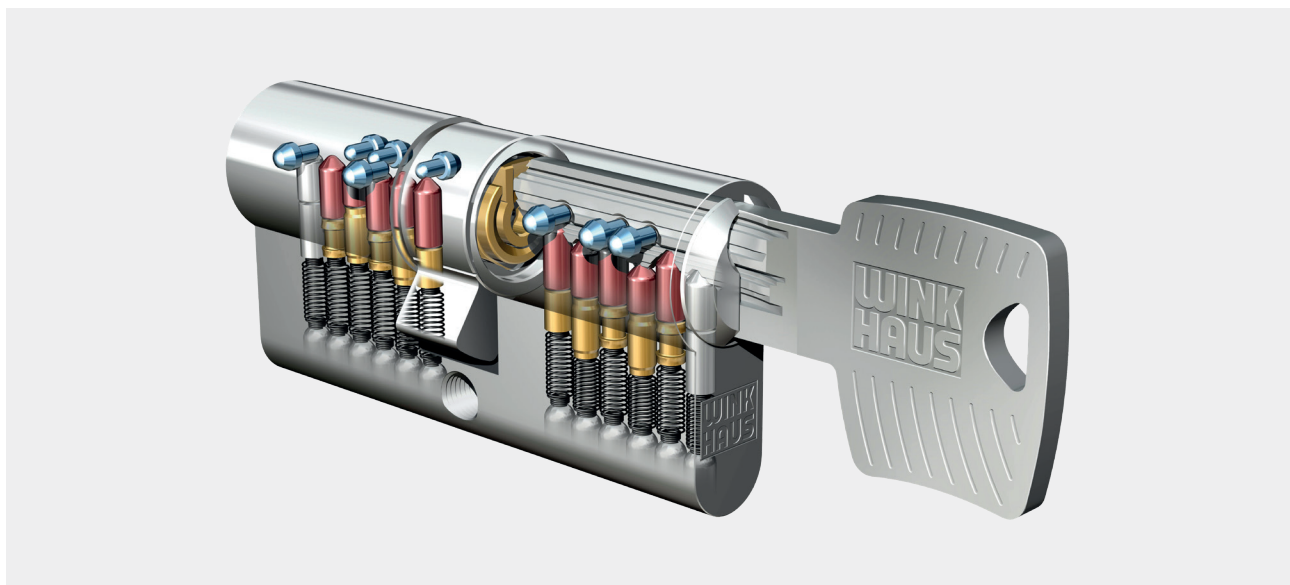


keyTec ZRV6

Winkhaus locking system for locking systems with security card



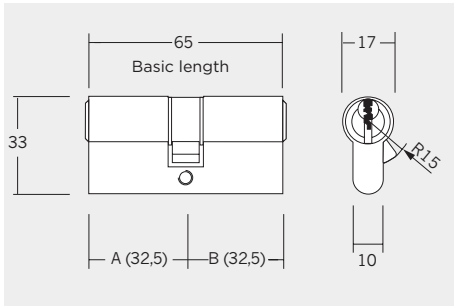
Key keyTec ZRV6

Technical features

- Manufactured according to DIN 18252 and EN 1303
- 6 spring-loaded pin tumblers on each side and a paracentric key profile
- Separate profile rows for central cylinder systems on the one side and (general) master key systems on the other side
- Up to 10 additional lateral pins controlled without springs
- Two different technical configurations are checked in the cylinder thanks to a second locking row on the key
- Ergonomic shape of the key made of wear-resistant nickel silver
- Cylinder housings available in brass, nickel-plated and brass matt
- Standard drilling protection due to hardened steel pins in the first row
- Standard picking protection thanks to special pins
- Protected by patent

Optionen

- Drilling protection according to EN 1303/SKG
- Drilling and anti-pulling protection according to EN 1303/SKG



ZRV6 01, 01/15, 51

Profile double cylinder ZRV6 01

Standard double cylinder with a min. length of 65 mm (32.5 + 32.5)

Profile double cylinder (FZG) ZRV6 01/15

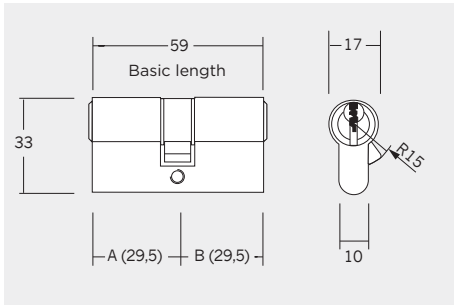
For multi-point panic door locking systems min. length 65 mm (32.5 + 32.5)

Freely rotatable cam 360°

Profile double cylinder ZRV6 51

Lockable from both sides, with emergency function

Minimum length 65 mm (32.5 + 32.5)



ZRV6 71

Profile double cylinder ZRV6 71 short cylinder

Double cylinder with a min. length of 59 mm (29.5 + 29.5)

Profile double cylinder (FZG) ZRV6 06/15 asymmetric

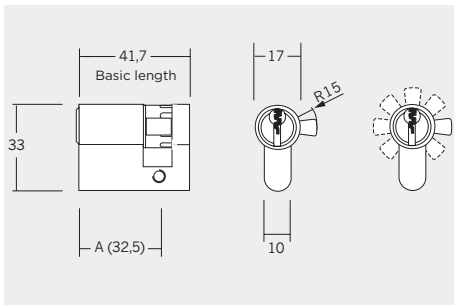
For multi-point panic door locking systems min. length 65 mm (30 + 35)

Freely rotatable cam 360°

Profile double cylinder ZRV6 56 asymmetric

Lockable from both sides, with emergency function

Minimum length 65 mm (30 + 35)

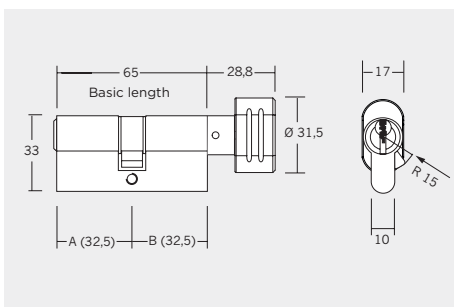


ZRV6 02

Profile half cylinder ZRV6 02

Min. length 41.7 mm, dimension A=32.5 mm

Cam adjustable to 8 positions



ZRV6 04

Profile knob cylinder ZRV6 04

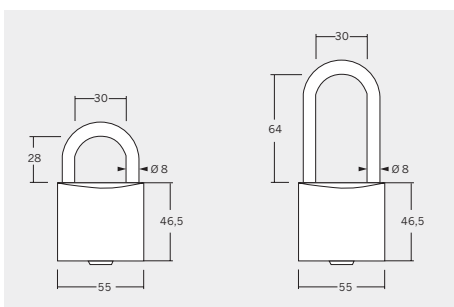
Minimum length 65 mm (32.5 + 32.5)

Knob to match the cylinder in colour

Profile knob cylinder ZRV6 09 asymmetric

Minimum length 65 mm (30 + 35)

Knob to match the cylinder in colour



ZRV6 85, 85/3, 85/1, 85/4

Padlock ZRV6 85, 85/3

Shackle height 28 mm, with or without automatic locking

Padlock ZRV6 85/1, 85/4

Shackle height 64 mm, with or without automatic locking

Stainless steel shackle, brass housing

Other types available on request, e. g. lever, round and special cylinders