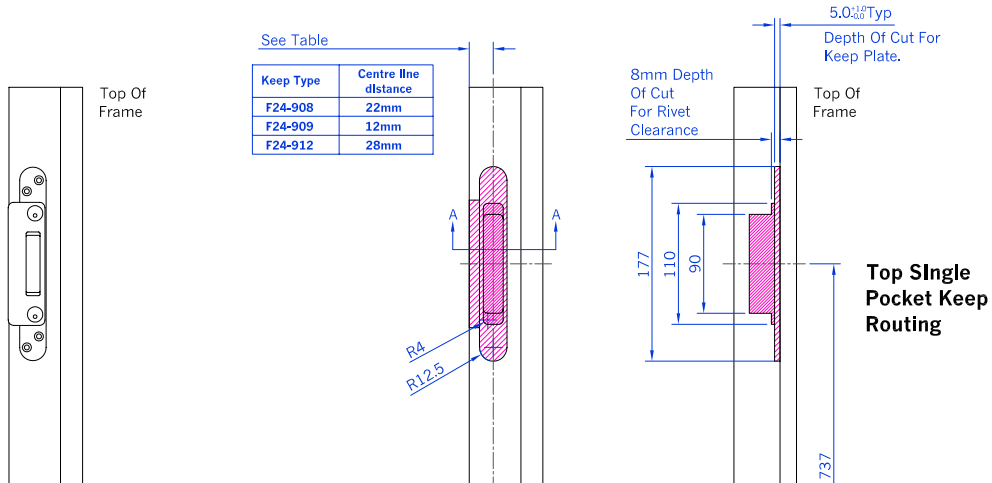


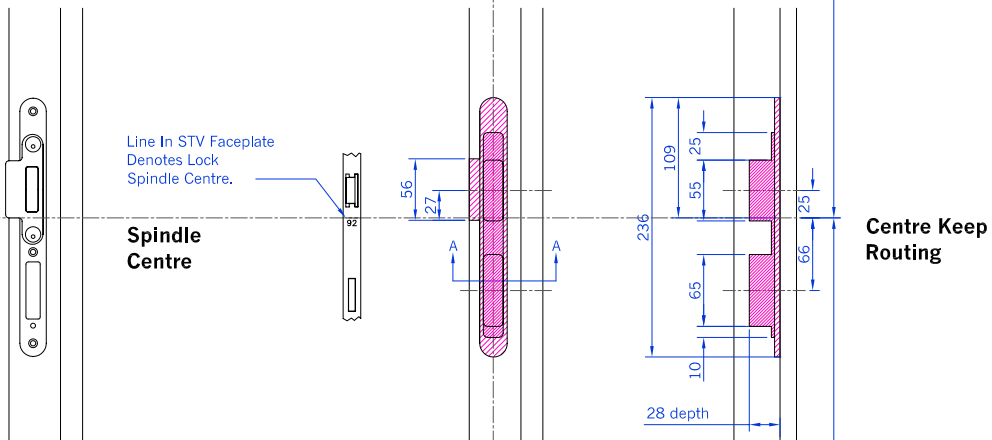
AV2 Single Pocket Rounded End Keep Routing Details for Timber and Composite Door Sashes with Timber Frame



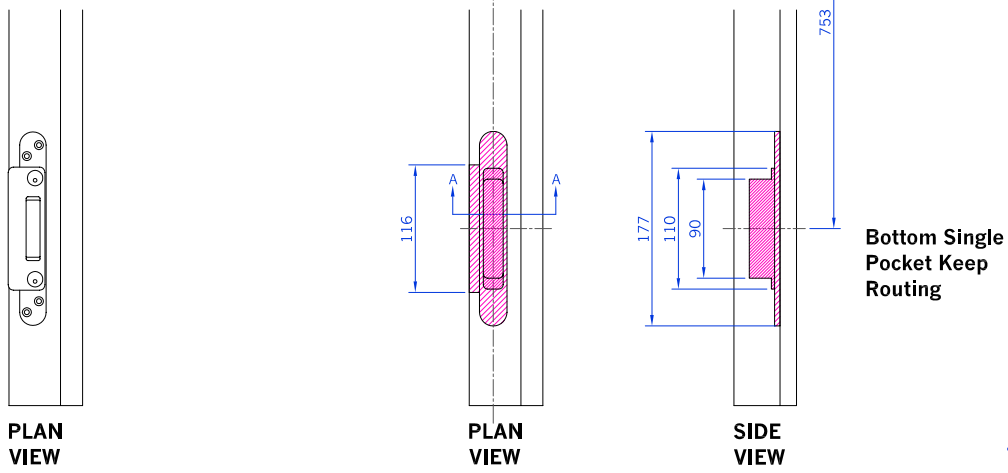
F24 Rounded End Single Pocket Keep



F24 Rounded End Centre Keep



F24 Rounded End Single Pocket Keep



PLAN VIEW

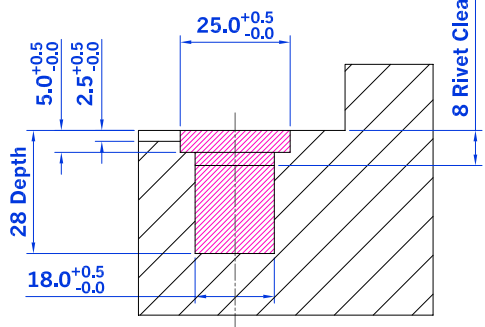
PLAN VIEW

SIDE VIEW

Denotes Routing

NOTE
Ensure That All Routing Material Is Cleared From Stile Before Fixing Lock.

Routing Details Based On Working Air Gap Of 4mm



SECTION A-A

Drawn C Harris	This drawing is the property of Winkhaus (UK) Ltd and is not to be reproduced or copied in any form without written consent.	
Scale N/A	Issue A	Date 24/09/08
Drawing No. D08002		

