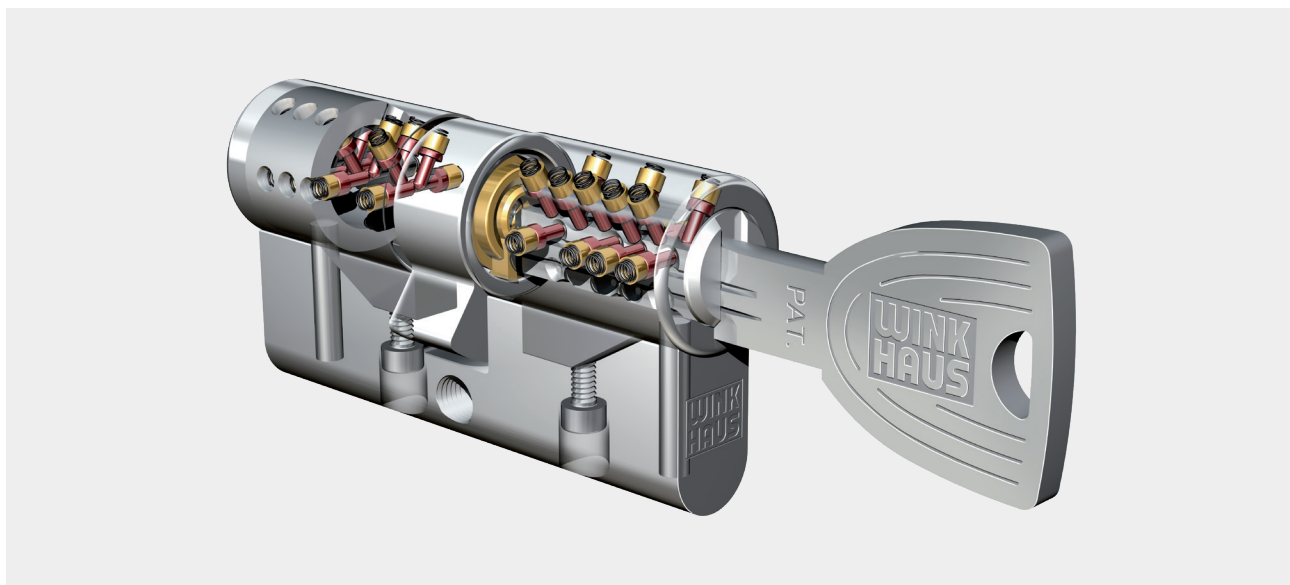


## keyTec X-tra (Xt)

Winkhaus reversible key system for single-secured cylinders and locking systems with security card



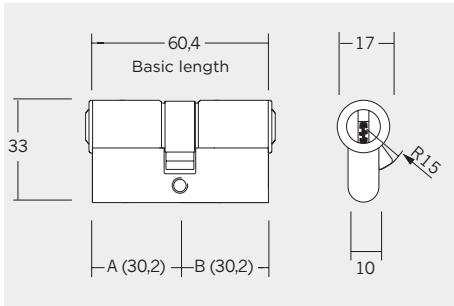
Reversible key keyTec X-tra

### Technical features

- Manufactured to DIN 18252 and EN 1303
- Up to 20 lateral pins in four rows on one side
- Separate profile rows for central cylinder systems on the one side and (general) master key systems on the other side
- Vertical key insertion
- Modular cylinder design enables change of cylinder length at a later time
- Ergonomic shape of key made of wear-resistant nickel silver
- Cylinder housings available in brass, nickel-plated and brass matt
- Drilling and anti-pulling protection fitted as standard
- Protected by patent

### Options

- Drilling and anti-pulling protection according to EN 1303/SKG/VdS



X-tra 01, 01/15, 51

**Profile double cylinder X-tra 01**

Standard double cylinder with a min. length of 60.4 mm (30.2 + 30.2)

**Profile double cylinder (FZG) X-tra 01/15**

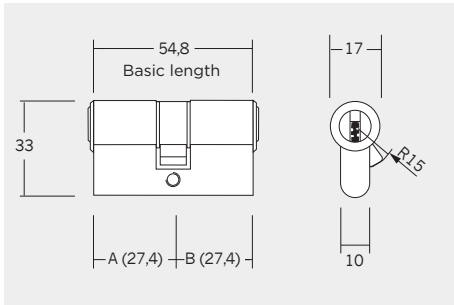
For multi-point panic door locking systems min. length 60.4 mm (30.2 + 30.2)

Freely rotatable cam 360°

**Profile double cylinder X-tra 51**

Lockable from both sides, with emergency function

Min. length 60.4 mm (30.2 + 30.2)



X-tra 71

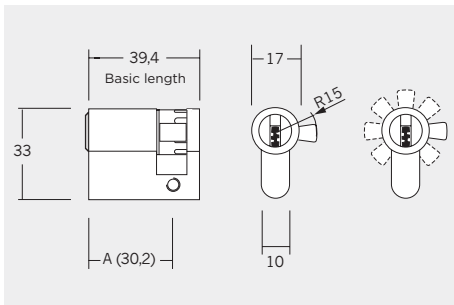
**Profile double cylinder X-tra 71 short cylinder**

Double cylinder with a min. length of 54.8 mm (27.4 + 27.4)

**Profile double cylinder X-tra 57 asymmetric**

Lockable from both sides, with emergency function

Min. length 62,0 mm (27,4 + 34,6)

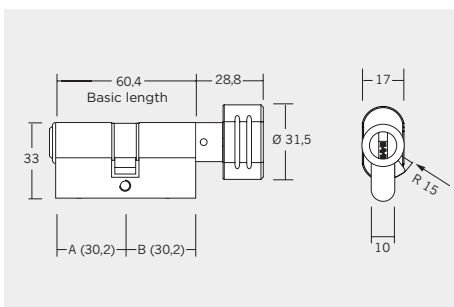


X-tra 02

**Profile half cylinder X-tra 02**

Min. length 39,4 mm, dimension A=30,2 mm

Cam adjustable to 8 positions



X-tra 04

**Profile knob cylinder X-tra 04**

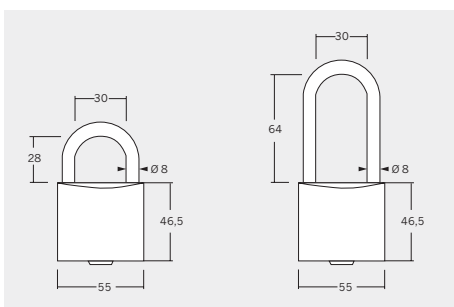
Min. length 60,4 mm (30,2 + 30,2)

Knob to match the cylinder in colour

**Profile knob cylinder X-tra 09 asymmetric**

Min. length 62,0 mm (27,4 + 34,6)

Knob to match the cylinder in colour



X-tra 85, 85/3, 85/1, 85/4

**Padlock X-tra 85, 85/3**

Shackle height 28 mm, with or without automatic locking

**Padlock X-tra 85/1, 85/4**

Shackle height 64 mm, with or without automatic locking

Stainless steel shackle, brass housing

Other types available on request, e. g. lever, round and special cylinders