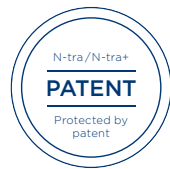


keyTec N-tra – Security thanks to individual locking cylinders

It is difficult to get an overview of all of the mechanical locking systems on the market. However, there is a solution especially designed for private homes which will leave no doubt: the convenient keyTec N-tra turn key system from Winkhaus.



A locking system that always fits

With the keyTec N-tra system, Winkhaus specifically meets the needs of private building owners and homeowners. All doors on the property can be opened as desired using a single key - including the gate, garage, house and outbuildings. Finally, you can bid farewell to key chaos.

Clever and convenient

Reversible keys are always easy to use. However, Winkhaus's keyTec N-tra system offers extra special convenience: The quality, ergonomic key made from wear-resistant nickel silver fits comfortably in the hand. The rounded key form protects your pockets and handbag. The reversibility and symmetrical geometry make key insertion particularly easy.

Engineered in Germany

Winkhaus has been impressing customers with innovative products since 1854. In our development centres in Germany, Winkhaus engineers are delivering outstanding technical developments in the field of window and door technology. Here visions become reality. So you can be certain that each and every of our products is made with outstanding German engineering skill.

Your Winkhaus partner:

FT Volt, July 2017, Print no. 999 000 539 · EN ·
All rights reserved. Subject to changes.

**WINK
HAUS**

keyTec N-tra

The reversible key system for your home



“The profile check by means of catch pin function makes the whole system even more secure.”

Sebastian Buschmann, specialist dealer in security technology

keyTec N-tra fulfils all requirements

- + Reliable and secure: thanks to sophisticated technology “engineered in Germany”
- + High-quality: with the use of refined surface finishes
- + Convenient: thanks to its user-friendly turn key function

Combines security and convenience



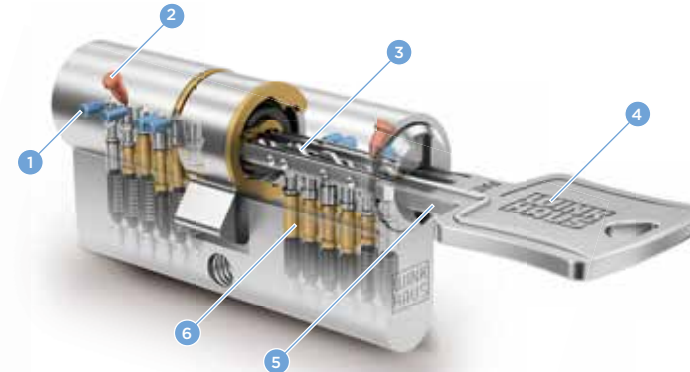
Security can be this versatile

Now you only need one key for all your doors: Demanding locking technology is made flexible with the keyTec N-tra/N-tra+ system thanks to the symmetric key geometry, and key insertion is child's play thanks to the reversible key. Once you start using the system, it will win you over in day-to-day use. Winkhaus offers the very best quality at a fair price and the guarantee of environmentally-compatible production in our plants in Germany.

Convenience with a unique advantage

keyTec N-tra impresses with its standard anti-drilling and picking protection, as well as its individual security card. Additional keys can only be ordered with this card. keyTec N-tra+ is the perfect solution for anyone looking for an even higher level of protection. Thanks to the additional Winkhaus AZE protection, keyTec N-tra+ has an additional query element.

keyTec N-tra

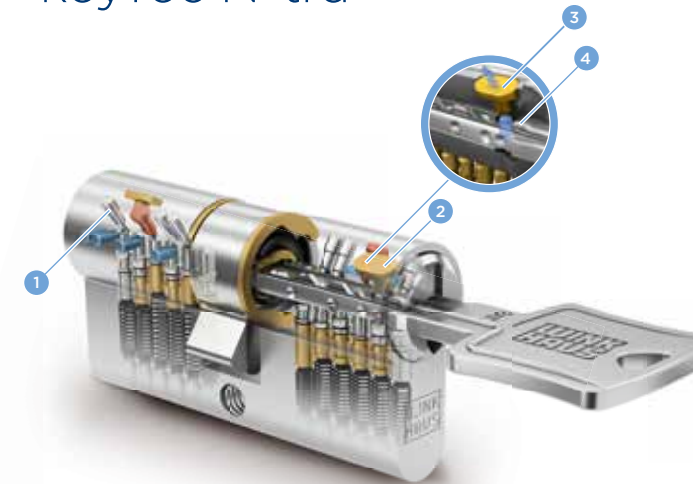


- 1 Lateral pin for side locking level
- 2 Profile check pin
- 3 Rib profile
- 4 Ergonomic key head
- 5 Elongated shoulder of the key
- 6 6 pin tumblers

N-tra advantages

- + 6 spring-mounted solid pin tumblers and up to 8 radial pins on 2 locking levels
- + Resistant to drilling and picking thanks to special pins
- + Protection against manipulation with catch pin function
- + 13.5 mm shoulder of the key for modern security fittings
- + Manufactured in compliance with DIN 18252 and DIN/EN 1303
- + Patent-protected

keyTec N-tra+



- 1 Lateral pin for top locking level
- 2 Query element
- 3 AZE protection
- 4 Additional element in the key

N-tra+ added advantages

- + 6 spring-mounted solid tumblers and up to 14 radial pins on 3 locking levels
- + Technical copy protection
- + Optimum security with additional AZE Protection query element
- + Improved locking security thanks to a large number of tumblers and different locking levels

Perfect for private homes

The keyTec N-tra system comes into its own anywhere where different doors have to be closed easily, like in private homes, medical practices, shops and small businesses. The system also really proves its worth in day-to-day use. Thanks to convenient keyed-alike cylinders, you only need one key for all doors.



With a keyed-alike locking concept, you can open all doors with just one key, here is an example based on a family home:

