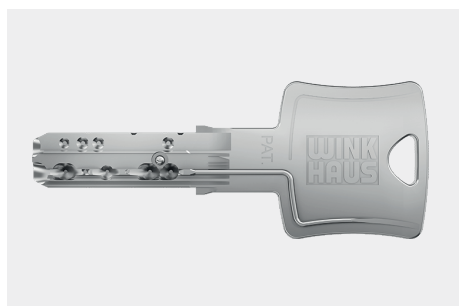
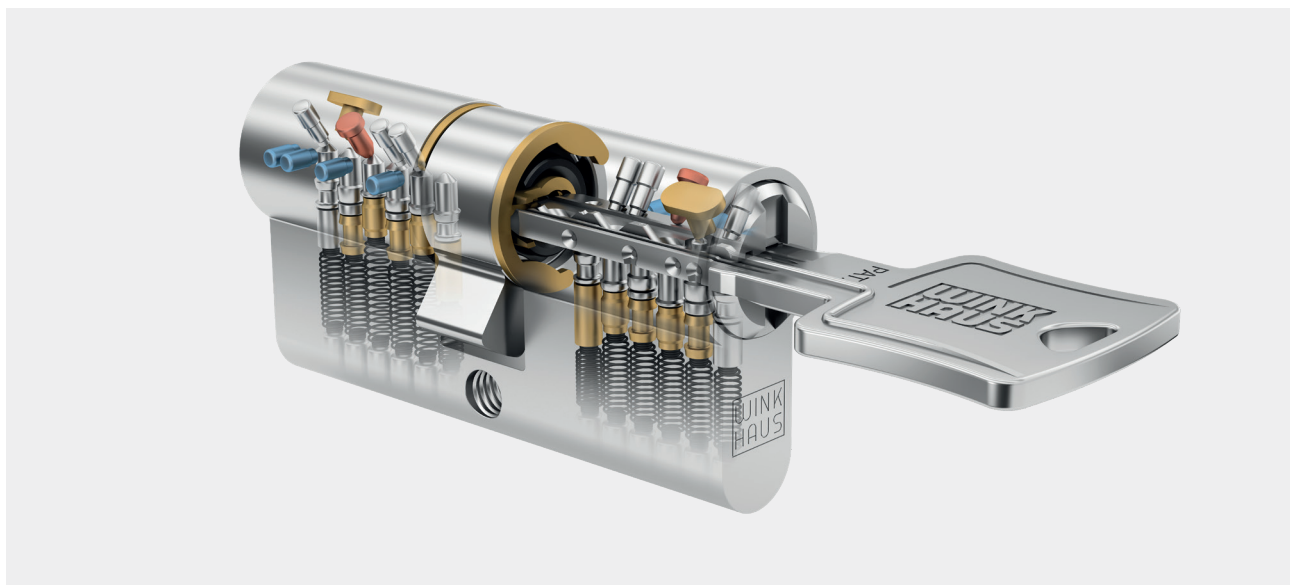


keyTec N-tra+

Winkhaus reversible key system for single-secured cylinders and locking systems with security card



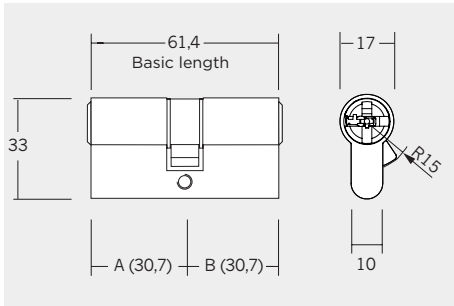
Reversible key keyTec N-tra+

Technical features

- Manufactured according to DIN 18252 and EN 1303
- 6 spring-mounted massive pin tumblers on each side and up to 14 lateral pins on 3 locking levels
- Technical copy protection thanks to AZE Protection
- Additional piece in the key
- Additional control element in the cylinder
- Profile check with catch pin function
- Patent protection until at least 2029
- Horizontal key insertion
- Core pins made of stainless steel
- Drilling protection thanks to hardened stainless steel pins
- Reinforced key guide due to special cylinder cores
- Standard picking protection thanks to special pins
- Ergonomic shape of key made of wear-resistant nickel silver
- Optimised key tip for improved insertion
- 13 mm key bow for protective fittings

Options

- Drilling protection according to EN 1303/SKG
- Drilling and anti-pulling protection according to EN 1303/SKG



N-tra+ 01, 01/15, 51

Profile double cylinder N-tra+ 01

Standard double cylinder with a min. length of 61.4 mm (30.7 + 30.7)

Profile double cylinder (FZG) N-tra+ 01/15 (on request)

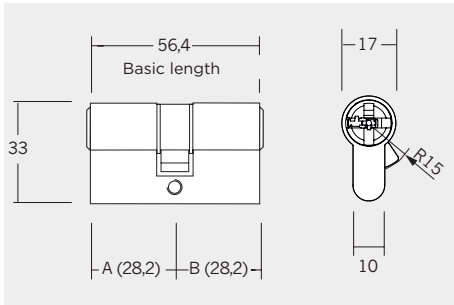
For multi-point panic door locking systems min. length 61.4 mm (30.7 + 30.7)

Freely rotatable cam 360°

Profile double cylinder N-tra+ 51

Lockable from both sides, with emergency function

Min. length 61.4 mm (30.7 + 30.7)



N-tra+ 71

Profile double cylinder N-tra+ 71 short cylinder

Double cylinder with a min. length of 56.4 mm (28.2 + 28.2)

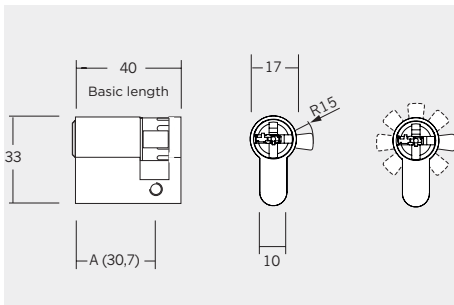
Profile double cylinder N-tra+ 77 asymmetric

Double cylinder with a min. length of 63.4 mm (28.2 + 35.2)

Profile double cylinder N-tra+ 57 asymmetric

Lockable from both sides, with emergency function

Min. length 63.4 mm (28.2 + 35.2)

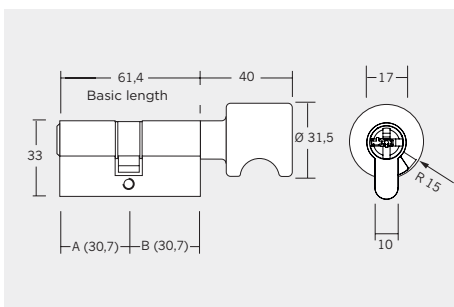


N-tra+ 02

Profile half cylinder N-tra+ 02

Min. length 40 mm, dimension A=30.7 mm

Cam adjustable to 8 positions



N-tra+ 04

Profile knob cylinder N-tra+ 04

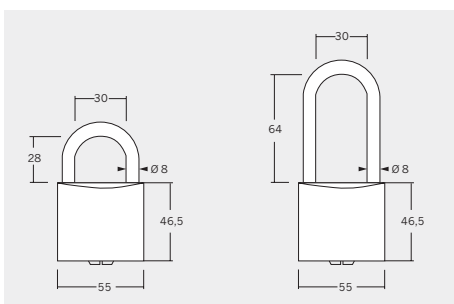
Min. length 61.4 mm (30.7 + 30.7)

Knob made of brass to match the cylinder in colour

Profile knob cylinder N-tra+ 09 asymmetric

Min. length 63.4 mm (28.2 + 35.2)

Knob made of brass to match the cylinder in colour



N-tra+ 85, 85/3, 85/1, 85/4

Padlock N-tra+ 85, 85/3

Shackle height 28 mm, with or without automatic locking

Padlock N-tra+ 85/1, 85/4

Shackle height 64 mm, with or without automatic locking

Stainless steel shackle, brass housing

Other types available on request, e. g. lever, round and special cylinders