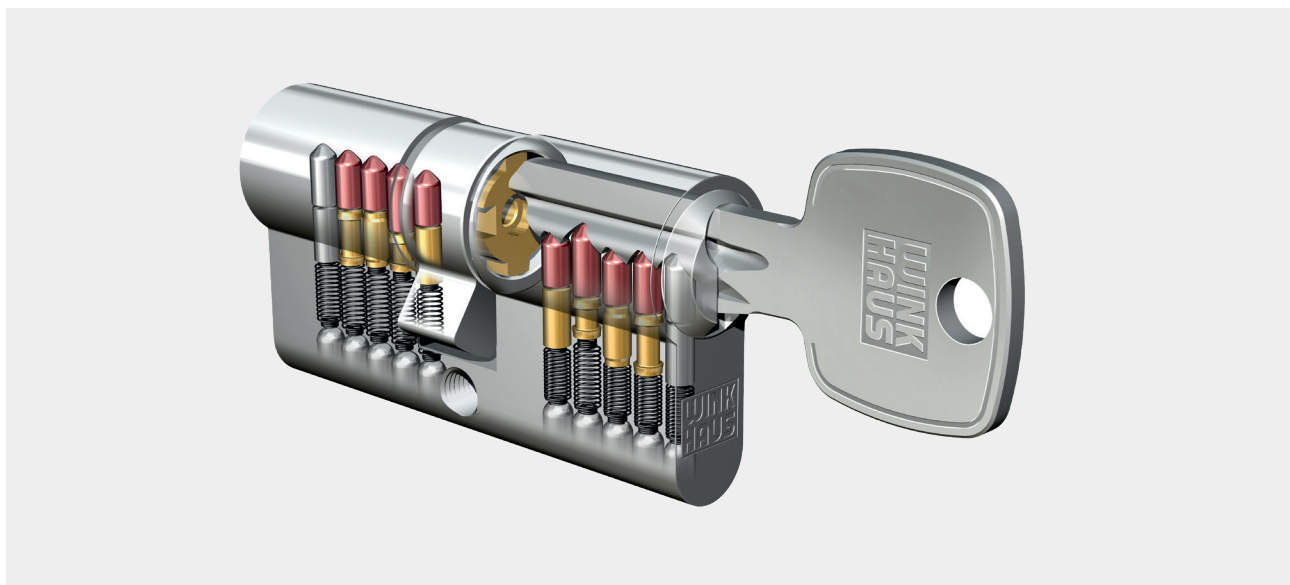


# keyOne X-pert

## Winkhaus Locking System in normal profile



Key keyOne X-pert

### Technical features

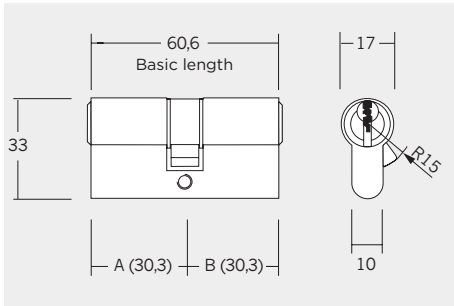
- Number of different lockings: >50.000
- To DIN 18252 and EN 1303
- Corrosion-resistant, solid cylinder housing, non-toxic, colour: nickel
- Corrosion-free key (Standard delivery with 3 keys)
- Optimised flank angles for key cuts
- Multiple paracentric key profile
- Core pins made of resistant hard bronze
- Standard drilling protection thanks to hardened stainless steel pins in the front row
- Standard opening protection by special pin shapes
- 5 spring-mounted, solid pin tumblers on each side
- Reinforced key guide due to special cylinder cores
- Locking cam made of nickel-plated sintered steel
- 13 mm key bow for protective fittings

### Extensions

- On one or both sides with increments of 5 mm (types 01, 01/15, 51, 04)
- On the interior side (B side) with increments of 5 mm (types 02, 57, 71, 77)

### Optionen

- Drilling protection according to EN 1303/SKG



XR 01, 01/15, 51

**Profile double cylinder XR 01**

Standard double cylinder with a min. length of 60.6 mm (30.3 + 30.3)

**Profile double cylinder (FZG) XR 01/15**

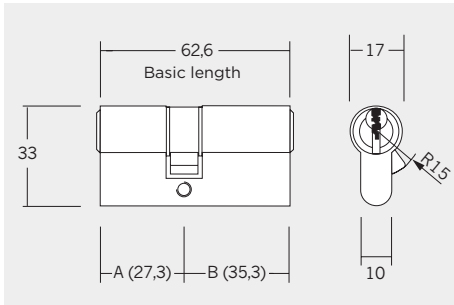
For anti-panic multi-point locking systems. Min. length 60.6 mm (30.3 + 30.3)

Cam freely rotatable through 360°

**Profile double cylinder XR 51**

Lockable from both sides

Min. length 60.6 mm (30.3 + 30.3)



XR 77

**Profile double cylinder XR 77 asymmetrical**

Double cylinder with a min. length of 62.6 mm (27.3 + 35.3)

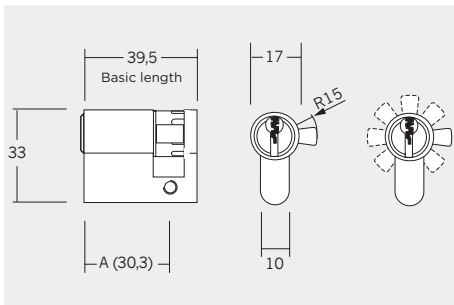
**Profile double cylinder XR 71 short cylinder**

Double cylinder with a min. length of 54.6 mm (27.3 + 27.3)

**Profile double cylinder XR 57 asymmetrical**

Lockable from both sides

Min. length 62.6 mm (27.8 + 34.8)

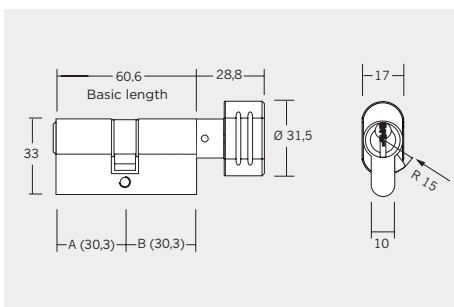


XR 02

**Profile half cylinder XR 02**

Min. length 39.5 mm, dimension A=30.3 mm

Cam adjustable to 8 positions

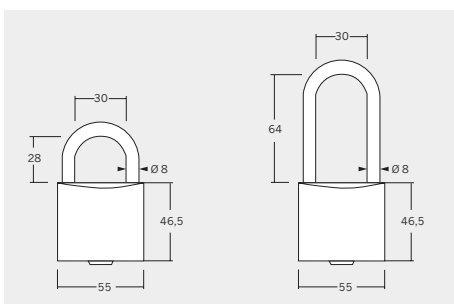


XR 04

**Profile knob cylinder XR 04**

Min. length 60.6 mm (30.3 + 30.3)

Knob to match the cylinder in colour



XR 85, 85/1

**Padlock XR 85**

Shackle height 28 mm

**Padlock XR 85/1**

Shackle height 64 mm, Stainless steel shackle, brass housing

Other types available, e.g. lever, round and special cylinders