

## keyTec VSX

Winkhaus locking system for single-secured cylinders  
and locking systems with security card



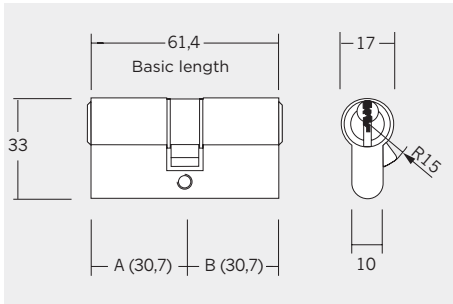
Key keyTec VSX

### Technical features

- Manufactured according to DIN 18252 and EN 1303
- 6 spring-loaded massive pin tumblers on each side
- Additionally up to 10 springless radial pins
- Drilling protection thanks to hardened stainless steel pins
- Standard picking protection thanks to special pins
- Ergonomic shape of key made of wear-resistant nickel silver
- Attractive and stable key
- 13 mm key bow for modern protective fittings
- Patent protected
- Made in Germany

### Options

- Drilling protection according to EN 1303/SKG
- Drilling and anti-pulling protection according to EN 1303/SKG



VSX 01, 01/15, 51

**Profile double cylinder VSX 01**

Standard double cylinder with a min. length of 61.4 mm (30.7 + 30.7)

**Profile double cylinder (FZG) VSX 01/15**

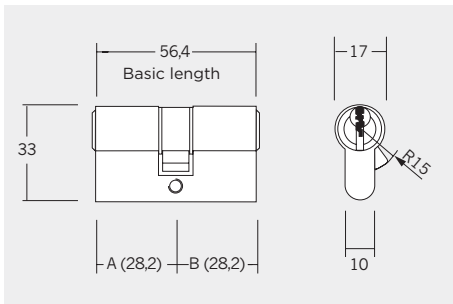
For multi-point panic door locking systems min. length 61.4 mm (30.7 + 30.7)

Freely rotatable cam 360°

**Profile double cylinder VSX 51**

Lockable from both sides, with emergency function

Min. length 61.4 mm (30.7 + 30.7)



VSX 71

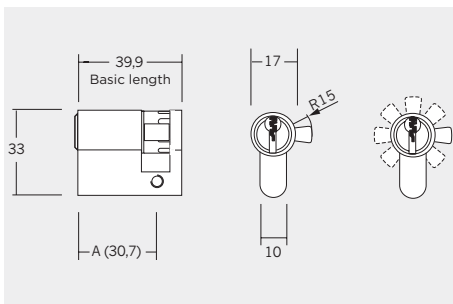
**Profile double cylinder VSX 71 short cylinder**

Double cylinder with a min. length of 56.4 mm (28.2 + 28.2)

**Profile double cylinder VSX 57 asymmetric**

Lockable from both sides, with emergency function

Min. length 63.4 mm (28.2 + 35.2)

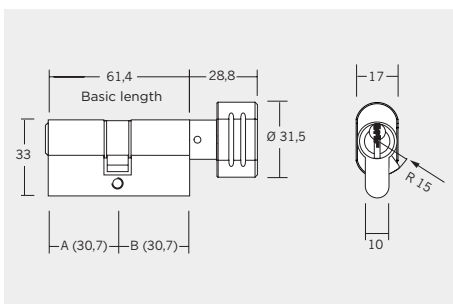


VSX 02

**Profile half cylinder VSX 02**

Min. length 39.9 mm, dimension A=30.7 mm

Cam adjustable to 8 positions



VSX 04

**Profile knob cylinder VSX 04**

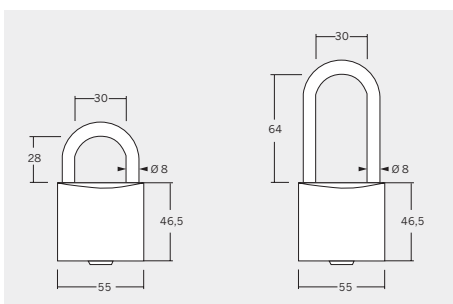
Min. length 61.4 mm (30.7 + 30.7)

Knob to match the cylinder in colour

**Profile knob cylinder VSX 09 asymmetric**

Min. length 63.4 mm (28.2 + 35.2)

Knob to match the cylinder in colour



VSX 85, 85/3, 85/1, 85/4

**Padlock VSX 85, 85/3**

Shackle height 28 mm, with or without automatic locking

**Padlock VSX 85/1, 85/4**

Shackle height 64 mm, with or without automatic locking

Stainless steel shackle, brass housing

Other types available on request, e. g. lever, round and special cylinders