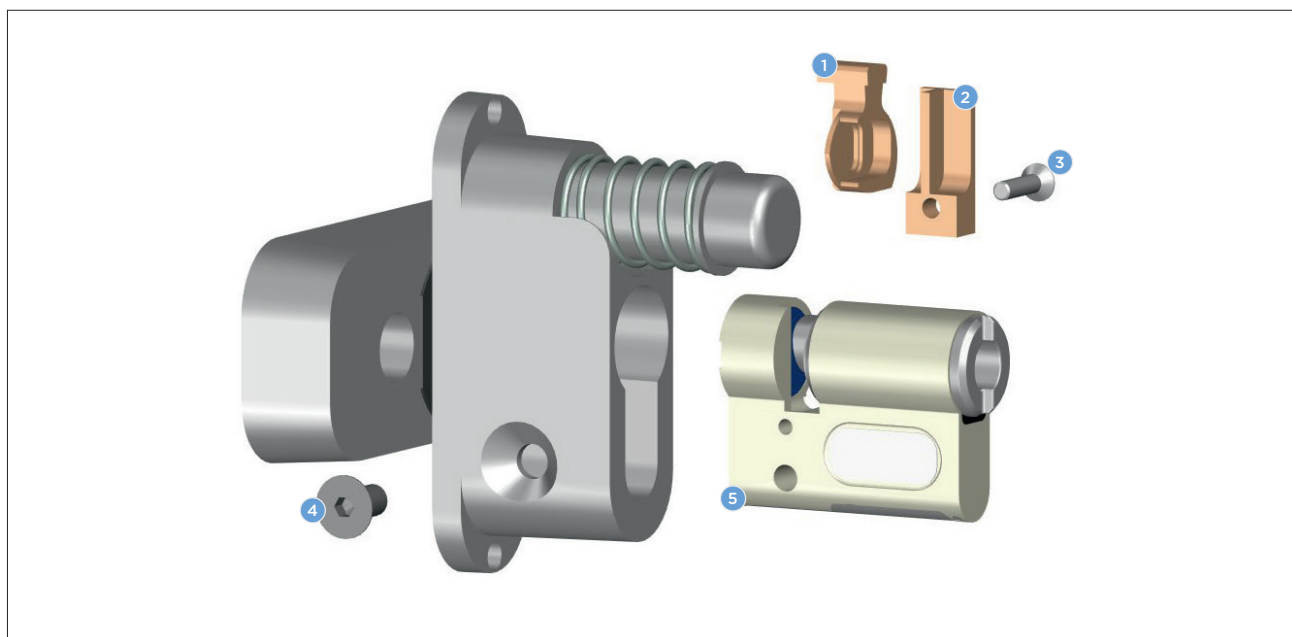


Mounting Instructions BS02/X3

Assembly, disassembly and battery replacement



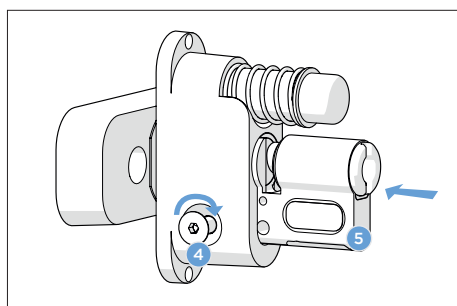
1 Locking cam

2 Cam retainer

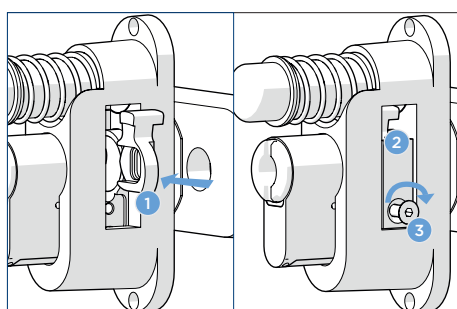
3 Screw M3 x 12

4 Countersunk screw M5 x 30

5 Half cylinder BS02/X3



Pic. 1: Insert half cylinder BS02/X3



Pic. 2: Slide on the locking cam and fix cam retainer with screw

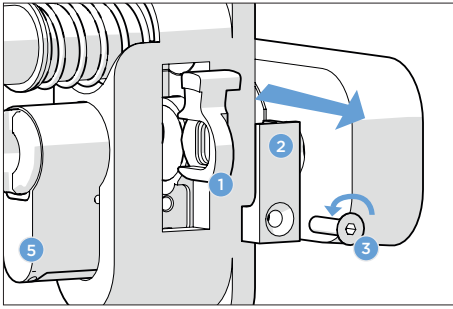
Mounting of BS02/X3 cylinder into the FSB window handle

Conditions (before assembly):

- Before the assembly remove the window handle from the window frame.
- Dismount the handle component from the handle bottom part.
- If necessary, dismount existing cylinder (remove M5 countersunk screw, turn the cam to 6:00 h with the key, then remove cylinder).

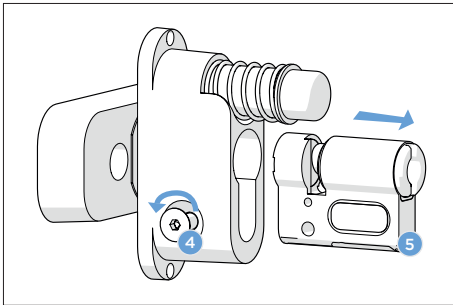
- On cylinder: Remove the cam retainer (2) and the cam (1) from cylinder BS02/X3 by loosening the screw (3).
- Insert BS02/X3 cylinder (5) into the bottom part of the handle and tighten by hand with M5 countersunk screw (4) (see picture 1)
- Slide the cam (1) on the cylinder BS02/X3 (see picture 2 left side)
- Use a countersunk screw (3) to fix the cam retainer on the cylinder by hand (see picture 2 right side)
- Perform function test of the component:
 - Lock the half cylinder with an authorised key.
 - Lock and unlock the window handle.

Disassembly and battery replacement



Picture 3: Disassembly of cam retainer and cam

- Disassemble window handle from window frame.
- Disassemble handle component from handle bottom part
- Remove cam retainer (2) and cam (1) from BS02/X3 half cylinder (5), by loosening countersunk screw (3) M3 x 12 (see picture 3)
- Loosen M5 countersunk screw (4), disassemble cylinder (5) (see picture 4)
- In order to replace the battery, please use attached battery replacement instructions.



Picture 4: Removal of cylinder